

STAIRCASE PLATFORM LADDER

200KG
SWL*

IDEAL FOR WAREHOUSING/INDUSTRIAL PLANT MAINTENANCE

Product Features:

- Heavy Duty Aluminium Alloy gives great strength, lightness and durability to carry out various works at height.
- Thick aluminium chequered sheet platform area, large enough for working long durations at a time. Toeplate is added for safety purposes.
- 60° angle step (standard) or 45° angle step available on request (note dimensions will differ).
- Ladder has two-sided handrail, in addition to a three-sided platform railing with safety chain (Optional gate available).
- Nut/bolt system makes assembly/ disassembly easy and reduces transport and storage costs.
- Wide step (depth and width) allow effortless ascent/descent.
- Additional features possible (i.e. toe plate, door, jack, etc).



Step & Wheel



Guardrail & Toeplate



Product Dimensions

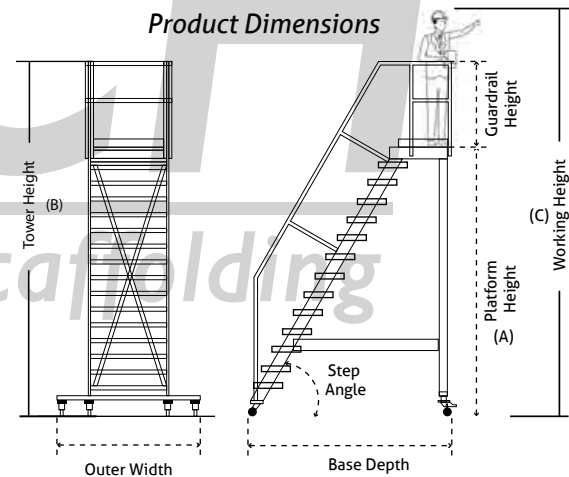


Table of Measurements:

STAIRCASE PLATFORM LADDER						
ITEM CODE	STEPS & PLATFORM	PLATFORM HEIGHT (A)	TOWER HEIGHT (B)	WORKING HEIGHT (C)	BASE DEPTH	OUTER WIDTH
STCPF4	3+1	1000 MM	1975 MM	3000 MM	1120 MM	690 MM
STCPF6	5+1	1500 MM	2475 MM	3500 MM	1400 MM	690 MM
STCPF8	7+1	2000 MM	2975 MM	4000 MM	1700 MM	1000 MM
STCPF10	9+1	2500 MM	3500 MM	4500 MM	2180 MM	1200 MM
STCPF12	11+1	3000 MM	4000 MM	5000 MM	2500 MM	1200 MM
STCPF14	13+1	3500 MM	4500 MM	5500 MM	2800 MM	1400 MM
STCPF16	15+1	4000 MM	5000 MM	6000 MM	3080 MM	1600 MM
STCPF18	17+1	4500 MM	5500 MM	6500 MM	3360 MM	1800 MM
STCPF20	19+1	5000 MM	6000 MM	7000 MM	3650 MM	2000 MM

Above table based on standard dimensions.

Product Code: STCPF

Standard Dimensions:

Step angle**: 60° (45° option available)

Step interval: 250mm (200mm for 45°)

Step width**: 800mm (600mm & 1000mm options available)

Step depth: 180mm (240mm for 45°)

Platform dimensions**:

a) 600mm (width) x 600mm (depth) for STCPF8 & under

b) 800mm (width) x 800mm (depth) for STCPF10 & above

Guardrail height**: 1000mm; based on platform height

Handrail height: based of step angle

* SWL may vary based on final platform dimensions

** Indicates options that may or may not be altered

Key Feature:

All major components are replaceable (unlike fully welded steel/aluminium alternatives).