

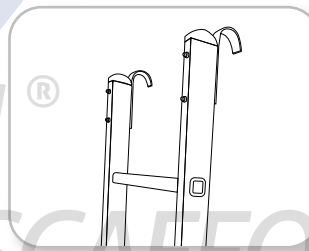
# HEAVY DUTY STRAIGHT LADDER



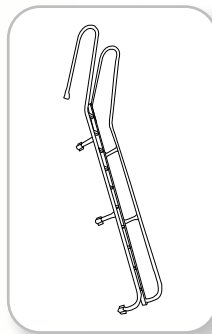
- Unique edged heavy duty rectangular channel construction gives greater strength than C-channel or normal rectangular channels
- Hard Aluminium Alloy increases strength of overall features and has stronger mechanical properties than other common alloys
- Ribbed channels and steps with anti-slip features allow greater grip when ascending/descending
- Step Depth of 100mm, gives large stepping area for greater stability and is ergonomically designed
- Heavy-duty padded metal shoes have wider surface area for additional stability, and mar-resistant endcaps to provide safety
- Rung crimped onto channel for robustness and strength, reinforced by weld strips
- Greater load bearing capacity
- **Optional items include base plate, hook and handrail, available on request**



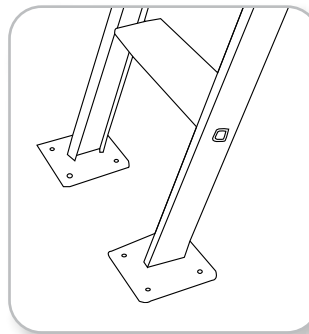
**+ ADDITIONAL OPTIONS**



HOOK



HANDRAIL



BASE PLATE

HEAVY DUTY STRAIGHT LADDER LOAD CAPACITY: 175 KG			
ITEM CODE	STEPS	APPROXIMATE HEIGHT	
		METRES	FEET
HDSL 5	5	1.61	5'3"
HDSL 6	6	1.89	6'2"
HDSL 7	7	2.17	7'1"
HDSL 8	8	2.46	8'1"
HDSL 9	9	2.74	8'12"
HDSL 10	10	3.02	9'11"
HDSL 11	11	3.3	10'10"
HDSL 12	12	3.58	11'9"
HDSL 13	13	3.86	12'8"
HDSL 14	14	4.15	13'7"
HDSL 15	15	4.43	14'6"
HDSL 16	16	4.71	15'5"
HDSL 17	17	5	16'5"
HDSL 18	18	5.27	17'3"
HDSL 19	19	5.56	18'3"

NOTE: WEIGHT IS CALCULATED AS PER FINAL STEP WIDTH DIMENSIONS AND ADDITIONAL OPTION(S) CHOSEN  
TECHNICAL FEATURES ARE INDICATIVE AND CAN BE MODIFIED WITHOUT PRIOR NOTICE

Ideal for general, heavy-duty applications:

Maintenance/ Repair Jobs

Heavy-Duty DIY

Painting Jobs

Installation Works

**TAKING YOU ONE STEP HIGHER**